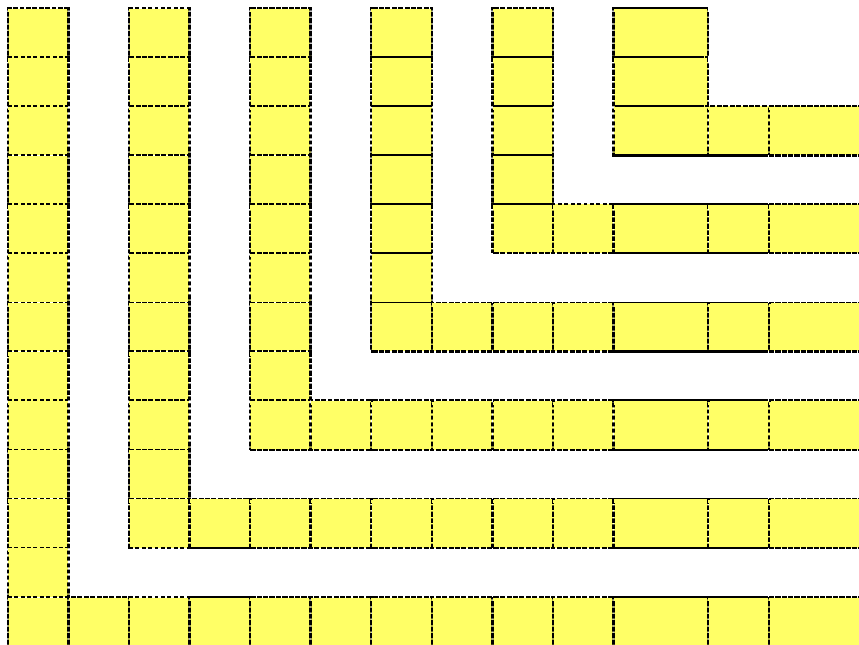


Produktschlüssel

Schlauchfilter Typ FSG (TR/V/Ex.A)

F **S** **G** **20** - **20** = **19,20** **m²**



TR	Top Removal
V	Vertikale Filterummantelung
Ex.A	Antistatische Filterausführung

Weitere Bauformen und Optionen erhalten Sie auf Anfrage !!!

6. Stelle Filterfläche

5. Stelle Länge der Filterschläuche

4. Stelle Anzahl der Filterschläuche

3. Stelle **G**=Gehäuse

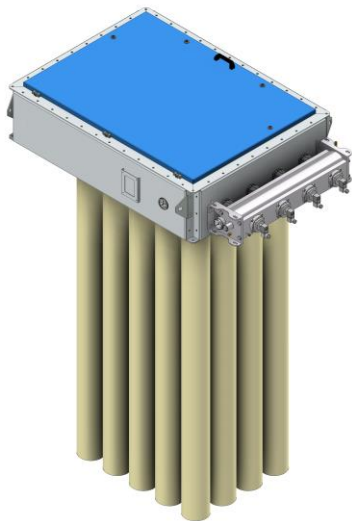
2. Stelle Schlauchfilter

1. Stelle Filter der Abscheider / Oberflächenfilter

Produktschlüssel

Schlauchfilter Typ FSG (TR/V/Ex.A)

Einbau-Schlauchfilter Typ FSG 20-20 = 19,20 m²



Aufsatz-Schlauchfilter Typ FSG 20-20 = 19,20 m²



Gehäuse-Schlauchfilter Typ FSG 20-20 = 19,20 m²





HAINKE Gehäuse-Schlauchfilter

Typ FSG 20-20 FSG 128-35

ALLE RECHTE VORBEHALTEN - KONSTRUKTIONS- UND MASSÄNDERUNGEN VORBEHALTEN

Filter- typ FSG	Filter- fläche m ²	Bauform	Pilotventil- kasten / Heizung	Druckluft- kessel	Ventil- anzahl	Ventil- typ	Druckluft- verbrauch Nm ³ /h ¹	Druckluft- anschluss
FSG 20 - 20	19,20	V	1xCSN 5/4-GRT 70	S8C14N04P200-F	4 x 1 1/2"	VEM 514	16	1 x 3/4"
FSG 20 - 25	24,00	V	1xCSN 5/4-GRT 70	S8C14N04P200-F	4 x 1 1/2"	VEM 514	16	1 x 3/4"
FSG 20 - 30	28,60	V	1xCSN 5/4-GRT 70	S8C14N04P200-F	4 x 1 1/2"	VEM 514	16	1 x 3/4"
FSG 20 - 35	33,40	V	1xCSN 5/4-GRT 70	S8C14N04P200-F	4 x 1 1/2"	VEM 514	16	1 x 3/4"
FSG 24 - 20	23,00	V	1xCSN 5/4-GRT 70	S8C14N04P200-F	4 x 1 1/2"	VEM 514	16	1 x 3/4"
FSG 24 - 25	28,80	V	1xCSN 5/4-GRT 70	S8C14N04P200-F	4 x 1 1/2"	VEM 514	16	1 x 3/4"
FSG 24 - 30	34,30	V	1xCSN 5/4-GRT 70	S8C14N04P200-F	4 x 1 1/2"	VEM 514	16	1 x 3/4"
FSG 24 - 35	40,10	V	1xCSN 5/4-GRT 70	S8C14N04P200-F	4 x 1 1/2"	VEM 514	16	1 x 3/4"
FSG 28 - 20	26,90	V	1xCSN 5/4-GRT 70	S8C14N04P200-F	4 x 1 1/2"	VEM 514	16	1 x 3/4"
FSG 28 - 25	33,60	V	1xCSN 5/4-GRT 70	S8C14N04P200-F	4 x 1 1/2"	VEM 514	16	1 x 3/4"
FSG 28 - 30	40,00	V	1xCSN 5/4-GRT 70	S8C14N04P200-F	4 x 1 1/2"	VEM 514	16	1 x 3/4"
FSG 28 - 35	46,80	V	1xCSN 5/4-GRT 70	S8C14N04P200-F	4 x 1 1/2"	VEM 514	16	1 x 3/4"
FSG 32 - 20	30,70	V	1xCSN 5/4-GRT 70	S8C14N04P200-F	4 x 1 1/2"	VEM 514	16	1 x 3/4"
FSG 32 - 25	38,40	V	1xCSN 5/4-GRT 70	S8C14N04P200-F	4 x 1 1/2"	VEM 514	16	1 x 3/4"
FSG 32 - 30	45,80	V	1xCSN 5/4-GRT 70	S8C14N04P200-F	4 x 1 1/2"	VEM 514	16	1 x 3/4"
FSG 32 - 35	53,40	V	1xCSN 5/4-GRT 70	S8C14N04P200-F	4 x 1 1/2"	VEM 514	16	1 x 3/4"
FSG 40 - 20	38,40	V	1xCSN 8/8-GRT 120	S8C14N08P200-F	8 x 1 1/2"	VEM 514	32	1 x 3/4"
FSG 40 - 25	48,00	V	1xCSN 8/8-GRT 120	S8C14N08P200-F	8 x 1 1/2"	VEM 514	32	1 x 3/4"
FSG 40 - 30	57,20	V	1xCSN 8/8-GRT 120	S8C14N08P200-F	8 x 1 1/2"	VEM 514	32	1 x 3/4"
FSG 40 - 35	66,80	V	1xCSN 8/8-GRT 120	S8C14N08P200-F	8 x 1 1/2"	VEM 514	32	1 x 3/4"
FSG 48 - 20	46,10	V	1xCSN 8/8-GRT 120	S8C14N08P200-F	8 x 1 1/2"	VEM 514	32	1 x 3/4"
FSG 48 - 25	57,60	V	1xCSN 8/8-GRT 120	S8C14N08P200-F	8 x 1 1/2"	VEM 514	32	1 x 3/4"
FSG 48 - 30	68,60	V	1xCSN 8/8-GRT 120	S8C14N08P200-F	8 x 1 1/2"	VEM 514	32	1 x 3/4"
FSG 48 - 35	80,20	V	1xCSN 8/8-GRT 120	S8C14N08P200-F	8 x 1 1/2"	VEM 514	32	1 x 3/4"
FSG 56 - 20	53,80	V	1xCSN 8/8-GRT 120	S8C14N08P200-F	8 x 1 1/2"	VEM 514	32	1 x 3/4"
FSG 56 - 25	67,20	V	1xCSN 8/8-GRT 120	S8C14N08P200-F	8 x 1 1/2"	VEM 514	32	1 x 3/4"
FSG 56 - 30	80,10	V	1xCSN 8/8-GRT 120	S8C14N08P200-F	8 x 1 1/2"	VEM 514	32	1 x 3/4"
FSG 56 - 35	93,50	V	1xCSN 8/8-GRT 120	S8C14N08P200-F	8 x 1 1/2"	VEM 514	32	1 x 3/4"
FSG 64 - 20	61,40	V	1xCSN 8/8-GRT 120	S8C14N08P200-F	8 x 1 1/2"	VEM 514	32	1 x 3/4"
FSG 64 - 25	76,80	V	1xCSN 8/8-GRT 120	S8C14N08P200-F	8 x 1 1/2"	VEM 514	32	1 x 3/4"
FSG 64 - 30	91,50	V	1xCSN 8/8-GRT 120	S8C14N08P200-F	8 x 1 1/2"	VEM 514	32	1 x 3/4"
FSG 64 - 35	106,90	V	1xCSN 8/8-GRT 120	S8C14N08P200-F	8 x 1 1/2"	VEM 514	32	1 x 3/4"
FSG 60 - 20	57,60	V	3xCSN 5/4-GRT 70	S8C14N12P200-F	12 x 1 1/2"	VEM 514	48	2 x 3/4"
FSG 60 - 25	72,00	V	3xCSN 5/4-GRT 70	S8C14N12P200-F	12 x 1 1/2"	VEM 514	48	2 x 3/4"
FSG 60 - 30	85,80	V	3xCSN 5/4-GRT 70	S8C14N12P200-F	12 x 1 1/2"	VEM 514	48	2 x 3/4"
FSG 60 - 35	100,20	V	3xCSN 5/4-GRT 70	S8C14N12P200-F	12 x 1 1/2"	VEM 514	48	2 x 3/4"
FSG 72 - 20	69,10	V	3xCSN 5/4-GRT 70	S8C14N12P200-F	12 x 1 1/2"	VEM 514	48	2 x 3/4"
FSG 72 - 25	86,40	V	3xCSN 5/4-GRT 70	S8C14N12P200-F	12 x 1 1/2"	VEM 514	48	2 x 3/4"
FSG 72 - 30	103,00	V	3xCSN 5/4-GRT 70	S8C14N12P200-F	12 x 1 1/2"	VEM 514	48	2 x 3/4"
FSG 72 - 35	120,20	V	3xCSN 5/4-GRT 70	S8C14N12P200-F	12 x 1 1/2"	VEM 514	48	2 x 3/4"
FSG 84 - 20	80,60	V	3xCSN 5/4-GRT 70	S8C14N12P200-F	12 x 1 1/2"	VEM 514	48	2 x 3/4"
FSG 84 - 25	100,80	V	3xCSN 5/4-GRT 70	S8C14N12P200-F	12 x 1 1/2"	VEM 514	48	2 x 3/4"
FSG 84 - 30	120,10	V	3xCSN 5/4-GRT 70	S8C14N12P200-F	12 x 1 1/2"	VEM 514	48	2 x 3/4"
FSG 84 - 35	140,30	V	3xCSN 5/4-GRT 70	S8C14N12P200-F	12 x 1 1/2"	VEM 514	48	2 x 3/4"
FSG 96 - 20	92,20	V	3xCSN 5/4-GRT 70	S8C14N12P200-F	12 x 1 1/2"	VEM 514	48	2 x 3/4"
FSG 96 - 25	115,20	V	3xCSN 5/4-GRT 70	S8C14N12P200-F	12 x 1 1/2"	VEM 514	48	2 x 3/4"
FSG 96 - 30	137,30	V	3xCSN 5/4-GRT 70	S8C14N12P200-F	12 x 1 1/2"	VEM 514	48	2 x 3/4"
FSG 96 - 35	160,30	V	3xCSN 5/4-GRT 70	S8C14N12P200-F	12 x 1 1/2"	VEM 514	48	2 x 3/4"
FSG 80 - 20	76,80	V	2xCSN 8/8-GRT 120	S8C14N16P200-F	16 x 1 1/2"	VEM 514	64	2 x 3/4"
FSG 80 - 25	96,00	V	2xCSN 8/8-GRT 120	S8C14N16P200-F	16 x 1 1/2"	VEM 514	64	2 x 3/4"
FSG 80 - 30	114,40	V	2xCSN 8/8-GRT 120	S8C14N16P200-F	16 x 1 1/2"	VEM 514	64	2 x 3/4"
FSG 80 - 35	133,60	V	2xCSN 8/8-GRT 120	S8C14N16P200-F	16 x 1 1/2"	VEM 514	64	2 x 3/4"
FSG 112 - 20	107,50	V	2xCSN 8/6-GRT 120	S8C14N16P200-F	16 x 1 1/2"	VEM 514	64	2 x 3/4"
FSG 112 - 25	134,40	V	2xCSN 8/6-GRT 120	S8C14N16P200-F	16 x 1 1/2"	VEM 514	64	2 x 3/4"
FSG 112 - 30	160,20	V	2xCSN 8/6-GRT 120	S8C14N16P200-F	16 x 1 1/2"	VEM 514	64	2 x 3/4"
FSG 112 - 35	187,00	V	2xCSN 8/6-GRT 120	S8C14N16P200-F	16 x 1 1/2"	VEM 514	64	2 x 3/4"
FSG 128 - 20	122,90	V	2xCSN 8/6-GRT 120	S8C14N16P200-F	16 x 1 1/2"	VEM 514	64	2 x 3/4"
FSG 128 - 25	153,60	V	2xCSN 8/6-GRT 120	S8C14N16P200-F	16 x 1 1/2"	VEM 514	64	2 x 3/4"
FSG 128 - 30	183,00	V	2xCSN 8/6-GRT 120	S8C14N16P200-F	16 x 1 1/2"	VEM 514	64	2 x 3/4"
FSG 128 - 35	213,80	V	2xCSN 8/6-GRT 120	S8C14N16P200-F	16 x 1 1/2"	VEM 514	64	2 x 3/4"

¹ bei 180 sec. Umlaufzeit und 100 msec. Impulszeit



HAINKE Gehäuse-Schlauchfilter

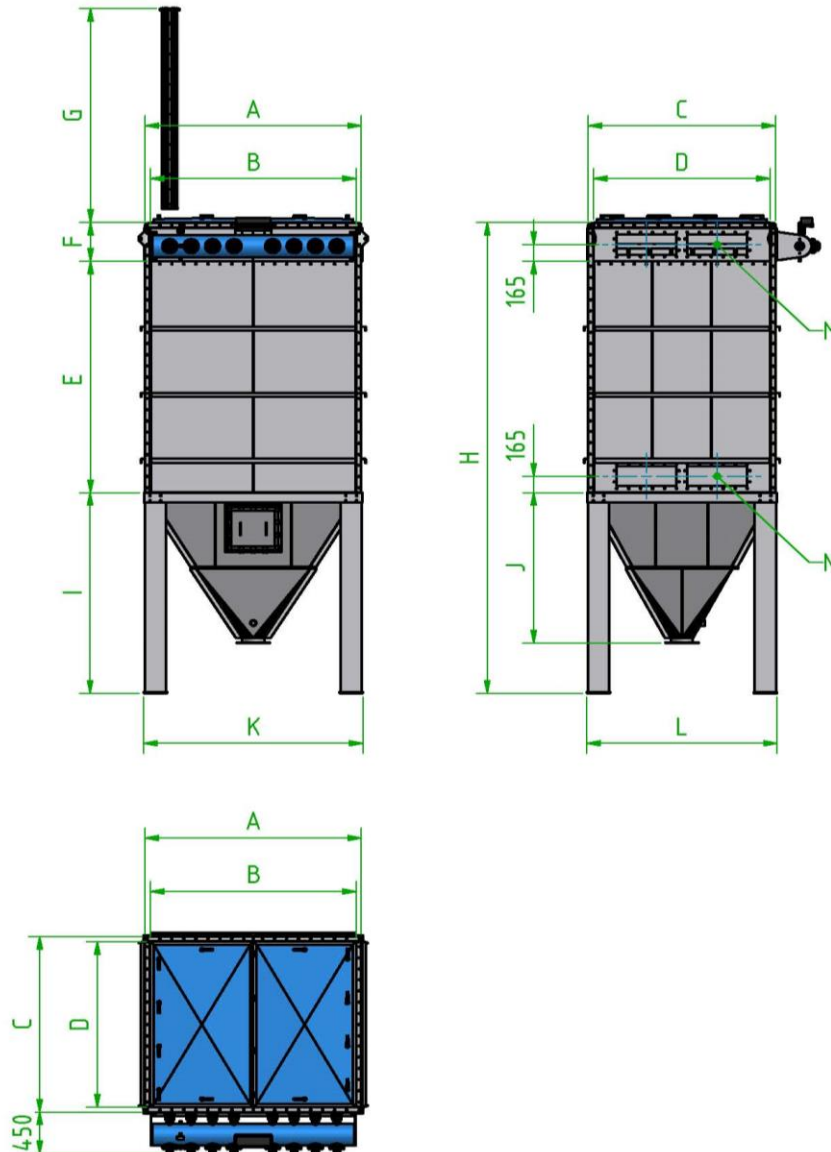
Typ FSG 20-20 FSG 128-35

Filter- typ	Filter- fläche	Abmessungen													
		A	B	C ⁽¹⁾	D	E	F	G	I	J	K	L	M	N	H
FSG	m ²	mm													
FSG 20 - 20	19,20	1060	960	1420	1320	2310	390	2000	1450	1050	1088	1448	1x200x560	1x200x560	4150
FSG 20 - 25	24,00	1060	960	1420	1320	2970	390	2500	1450	1050	1088	1448	1x200x560	1x200x560	4810
FSG 20 - 30	28,60	1060	960	1420	1320	3270	390	3000	1450	1050	1088	1448	1x200x560	1x200x560	5110
FSG 20 - 35	33,40	1060	960	1420	1320	3930	390	3500	1450	1050	1088	1448	2x200x560	1x200x560	5770
FSG 24 - 20	23,00	1060	960	1420	1320	2310	390	2000	1450	1050	1088	1448	1x200x560	1x200x560	4150
FSG 24 - 25	28,80	1060	960	1420	1320	2970	390	2500	1450	1050	1088	1448	1x200x560	1x200x560	4810
FSG 24 - 30	34,30	1060	960	1420	1320	3270	390	3000	1450	1050	1088	1448	2x200x560	1x200x560	5110
FSG 24 - 35	40,10	1060	960	1420	1320	3930	390	3500	1450	1050	1088	1448	2x200x560	2x200x560	5770
FSG 28 - 20	26,90	1060	960	1750	1650	2310	390	2000	1750	1350	1088	1448	1x200x560	1x200x560	4450
FSG 28 - 25	33,60	1060	960	1750	1650	2970	390	2500	1750	1350	1088	1448	2x200x560	1x200x560	5110
FSG 28 - 30	40,00	1060	960	1750	1650	3270	390	3000	1750	1350	1088	1448	2x200x560	2x200x560	5410
FSG 28 - 35	46,80	1060	960	1750	1650	3930	390	3500	1750	1350	1088	1448	2x200x560	2x200x560	6070
FSG 32 - 20	30,70	1060	960	1750	1650	2310	390	2000	1750	1350	1088	1448	1x200x560	1x200x560	4450
FSG 32 - 25	38,40	1060	960	1750	1650	2970	390	2500	1750	1350	1088	1448	2x200x560	1x200x560	5110
FSG 32 - 30	45,80	1060	960	1750	1650	3270	390	3000	1750	1350	1088	1448	2x200x560	2x200x560	5410
FSG 32 - 35	53,40	1060	960	1750	1650	3930	390	3500	1750	1350	1088	1448	2x200x560	2x200x560	6070
FSG 40 - 20	38,40	2020	1920	1420	1320	2310	390	2000	2000	1600	2048	1448	2x200x560	2x200x560	4700
FSG 40 - 25	48,00	2020	1920	1420	1320	2970	390	2500	2000	1600	2048	1448	2x200x560	2x200x560	5360
FSG 40 - 30	57,20	2020	1920	1420	1320	3270	390	3000	2000	1600	2048	1448	2x200x560	2x200x560	5660
FSG 40 - 35	66,80	2020	1920	1420	1320	3930	390	3500	2000	1600	2048	1448	3x200x560	2x200x560	6320
FSG 48 - 20	46,10	2020	1920	1420	1320	2310	390	2000	2000	1600	2048	1448	2x200x560	2x200x560	4700
FSG 48 - 25	57,60	2020	1920	1420	1320	2970	390	2500	2000	1600	2048	1448	2x200x560	2x200x560	5360
FSG 48 - 30	68,60	2020	1920	1420	1320	3270	390	3000	2000	1600	2048	1448	3x200x560	2x200x560	5660
FSG 48 - 35	80,20	2020	1920	1420	1320	3930	390	3500	2000	1600	2048	1448	3x200x560	2x200x560	6320
FSG 56 - 20	53,80	2020	1920	1750	1650	2310	390	2000	2000	1600	2048	1778	2x200x560	2x200x560	4700
FSG 56 - 25	67,20	2020	1920	1750	1650	2970	390	2500	2000	1600	2048	1778	3x200x560	2x200x560	5360
FSG 56 - 30	80,10	2020	1920	1750	1650	3270	390	3000	2000	1600	2048	1778	3x200x560	3x200x560	5660
FSG 56 - 35	93,50	2020	1920	1750	1650	3930	390	3500	2000	1600	2048	1778	4x200x560	3x200x560	6320
FSG 64 - 20	61,40	2020	1920	1750	1650	2310	390	2000	2000	1600	2048	1778	2x200x560	2x200x560	4700
FSG 64 - 25	76,80	2020	1920	1750	1650	2970	390	2500	2000	1600	2048	1778	3x200x560	3x200x560	5360
FSG 64 - 30	91,50	2020	1920	1750	1650	3270	390	3000	2000	1600	2048	1778	3x200x560	3x200x560	5660
FSG 64 - 35	106,90	2020	1920	1750	1650	3930	390	3500	2000	1600	2048	1778	4x200x560	3x200x560	6320
FSG 60 - 20	57,60	2980	2880	1420	1320	2310	390	2000	3000	2500	3008	1448	2x200x560	2x200x560	5700
FSG 60 - 25	72,00	2980	2880	1420	1320	2970	390	2500	3000	2500	3008	1448	3x200x560	2x200x560	6360
FSG 60 - 30	85,80	2980	2880	1420	1320	3270	390	3000	3000	2500	3008	1448	3x200x560	3x200x560	6660
FSG 60 - 35	100,20	2980	2880	1420	1320	3930	390	3500	3000	2500	3008	1448	4x200x560	3x200x560	7320
FSG 72 - 20	69,10	2980	2880	1420	1320	2310	390	2000	3000	2500	3008	1448	3x200x560	2x200x560	5700
FSG 72 - 25	86,40	2980	2880	1420	1320	2970	390	2500	3000	2500	3008	1448	3x200x560	3x200x560	6360
FSG 72 - 30	103,00	2980	2880	1420	1320	3270	390	3000	3000	2500	3008	1448	4x200x560	3x200x560	6660
FSG 72 - 35	120,20	2980	2880	1420	1320	3930	390	3500	3000	2500	3008	1448	4x200x560	4x200x560	7320
FSG 84 - 20	80,60	2980	2880	1750	1650	2310	390	2000	3000	2500	3008	1778	3x200x560	3x200x560	5700
FSG 84 - 25	100,80	2980	2880	1750	1650	2970	390	2500	3000	2500	3008	1778	4x200x560	3x200x560	6360
FSG 84 - 30	120,10	2980	2880	1750	1650	3270	390	3000	3000	2500	3008	1778	4x200x560	4x200x560	6660
FSG 84 - 35	140,30	2980	2880	1750	1650	3930	390	3500	3000	2500	3008	1778	4x200x860	4x200x560	7320
FSG 96 - 20	92,20	2980	2880	1750	1650	2310	390	2000	3000	2500	3008	1778	4x200x560	3x200x560	5700
FSG 96 - 25	115,20	2980	2880	1750	1650	2970	390	2500	3000	2500	3008	1778	4x200x560	4x200x560	6360
FSG 96 - 30	137,30	2980	2880	1750	1650	3270	390	3000	3000	2500	3008	1778	4x200x860	4x200x560	6660
FSG 96 - 35	160,30	2980	2880	1750	1650	3930	390	3500	3000	2500	3008	1778	4x200x860	4x200x860	7320
FSG 80 - 20	76,80	3940	3840	1420	1320	2310	390	2000	3750	3250	3968	1448	3x200x560	3x200x560	6450
FSG 80 - 25	96,00	3940	3840	1420	1320	2970	390	2500	3750	3250	3968	1448	4x200x560	3x200x560	7110
FSG 80 - 30	114,40	3940	3840	1420	1320	3270	390	3000	3750	3250	3968	1448	4x200x560	3x200x560	7410
FSG 80 - 35	133,60	3940	3840	1420	1320	3930	390	3500	3750	3250	3968	1448	4x200x860	4x200x560	8070
FSG 112 - 20	107,50	3940	3840	1750	1650	2310	390	2000	3750	3250	3968	1778	4x200x560	3x200x560	6450
FSG 112 - 25	134,40	3940	3840	1750	1650	2970	390	2500	3750	3250	3968	1778	4x200x860	4x200x560	7110
FSG 112 - 30	160,20	3940	3840	1750	1650	3270	390	3000	3750	3250	3968	1778	4x200x860	4x200x860	7410
FSG 112 - 35	187,00	3940	3840	1750	1650	3930	390	3500	3750	3250	3968	1778	4x200x860	4x200x860	8070
FSG 128 - 20	122,90	3940	3840	1750	1650	2310	390	2000	3750	3250	3968	1778	4x200x860	4x200x560	6450
FSG 128 - 25	153,60	3940	3840	1750	1650	2970	390	2500	3750	3250	3968	1778	4x200x860	4x200x860	7110
FSG 128 - 30	183,00	3940	3840	1750	1650	3270	390	3000	3750	3250	3968	1778	4x200x860	4x200x860	7410
FSG 128 - 35	213,80	3940	3840	1750	1650	3930	390	3500	3750	3250	3968	1778	4x200x860	4x200x860	8070

ALLE RECHTE VORBEHALTEN - KONSTRUKTIONS- UND MASSÄNDERUNGEN VORBEHALTEN

¹zzgl. 450 mm Höhe für die Druckluftreinigung
²Grundlage für M und N ist eine Filterflächenbelastung von 3,5
³alle Angaben ohne Gewähr

HAINKE Gehäuse-Schlauchfilter Typ FSG 20-20 FSG 128-35



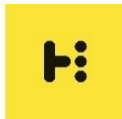
ALLE RECHTE VORBEHALTEN - KONSTRUKTIONS- UND MASSÄNDERUNGEN VORBEHALTEN

Filterunterteile (Maße I und J können je nach Austragorgnen variieren)

ZS = Zellenradschleuse

ST = Staubsammeltopf

SN = Austragschnecke



HAINKE Gehäuse-Schlauchfilter

Typ FSG 15-20 FSG 96-35

ALLE RECHTE VORBEHALTEN - KONSTRUKTIONS- UND MASSÄNDERUNGEN VORBEHALTEN

Filter- typ FSG	Filter- fläche m ²	Bauform	Pilotventil- kasten / Heizung	Druckluft- kessel	Ventil- anzahl	Ventil- typ	Druckluft- verbrauch Nm ³ /h ¹	Druckluft- anschluss
FSG 15 - 20	14,40	V	1xCSN 5/3-GRT 70	S8C14N03P200-F	3 x 1 1/2"	VEM 514	12	1 x 3/4"
FSG 15 - 25	18,00	V	1xCSN 5/3-GRT 70	S8C14N03P200-F	3 x 1 1/2"	VEM 514	12	1 x 3/4"
FSG 15 - 30	21,50	V	1xCSN 5/3-GRT 70	S8C14N03P200-F	3 x 1 1/2"	VEM 514	12	1 x 3/4"
FSG 15 - 35	25,10	V	1xCSN 5/3-GRT 70	S8C14N03P200-F	3 x 1 1/2"	VEM 514	12	1 x 3/4"
FSG 18 - 20	17,30	V	1xCSN 5/3-GRT 70	S8C14N03P200-F	3 x 1 1/2"	VEM 514	12	1 x 3/4"
FSG 18 - 25	21,60	V	1xCSN 5/3-GRT 70	S8C14N03P200-F	3 x 1 1/2"	VEM 514	12	1 x 3/4"
FSG 18 - 30	25,70	V	1xCSN 5/3-GRT 70	S8C14N03P200-F	3 x 1 1/2"	VEM 514	12	1 x 3/4"
FSG 18 - 35	30,10	V	1xCSN 5/3-GRT 70	S8C14N03P200-F	3 x 1 1/2"	VEM 514	12	1 x 3/4"
FSG 21 - 20	20,20	V	1xCSN 5/3-GRT 70	S8C14N03P200-F	3 x 1 1/2"	VEM 514	12	1 x 3/4"
FSG 21 - 25	25,20	V	1xCSN 5/3-GRT 70	S8C14N03P200-F	3 x 1 1/2"	VEM 514	12	1 x 3/4"
FSG 21 - 30	30,00	V	1xCSN 5/3-GRT 70	S8C14N03P200-F	3 x 1 1/2"	VEM 514	12	1 x 3/4"
FSG 21 - 35	35,10	V	1xCSN 5/3-GRT 70	S8C14N03P200-F	3 x 1 1/2"	VEM 514	12	1 x 3/4"
FSG 24 - 20	23,00	V	1xCSN 5/3-GRT 70	S8C14N03P200-F	3 x 1 1/2"	VEM 514	12	1 x 3/4"
FSG 24 - 25	28,80	V	1xCSN 5/3-GRT 70	S8C14N03P200-F	3 x 1 1/2"	VEM 514	12	1 x 3/4"
FSG 24 - 30	34,30	V	1xCSN 5/3-GRT 70	S8C14N03P200-F	3 x 1 1/2"	VEM 514	12	1 x 3/4"
FSG 24 - 35	40,10	V	1xCSN 5/3-GRT 70	S8C14N03P200-F	3 x 1 1/2"	VEM 514	12	1 x 3/4"
FSG 30 - 20	28,80	V	1xCSN 8/6-GRT 120	S8C14N06P200-F	6 x 1 1/2"	VEM 514	24	1 x 3/4"
FSG 30 - 25	36,00	V	1xCSN 8/6-GRT 120	S8C14N06P200-F	6 x 1 1/2"	VEM 514	24	1 x 3/4"
FSG 30 - 30	42,90	V	1xCSN 8/6-GRT 120	S8C14N06P200-F	6 x 1 1/2"	VEM 514	24	1 x 3/4"
FSG 30 - 35	50,10	V	1xCSN 8/6-GRT 120	S8C14N06P200-F	6 x 1 1/2"	VEM 514	24	1 x 3/4"
FSG 36 - 20	34,60	V	1xCSN 8/6-GRT 120	S8C14N06P200-F	6 x 1 1/2"	VEM 514	24	1 x 3/4"
FSG 36 - 25	43,20	V	1xCSN 8/6-GRT 120	S8C14N06P200-F	6 x 1 1/2"	VEM 514	24	1 x 3/4"
FSG 36 - 30	51,50	V	1xCSN 8/6-GRT 120	S8C14N06P200-F	6 x 1 1/2"	VEM 514	24	1 x 3/4"
FSG 36 - 35	60,10	V	1xCSN 8/6-GRT 120	S8C14N06P200-F	6 x 1 1/2"	VEM 514	24	1 x 3/4"
FSG 42 - 20	40,30	V	1xCSN 8/6-GRT 120	S8C14N06P200-F	6 x 1 1/2"	VEM 514	24	1 x 3/4"
FSG 42 - 25	50,40	V	1xCSN 8/6-GRT 120	S8C14N06P200-F	6 x 1 1/2"	VEM 514	24	1 x 3/4"
FSG 42 - 30	60,10	V	1xCSN 8/6-GRT 120	S8C14N06P200-F	6 x 1 1/2"	VEM 514	24	1 x 3/4"
FSG 42 - 35	70,10	V	1xCSN 8/6-GRT 120	S8C14N06P200-F	6 x 1 1/2"	VEM 514	24	1 x 3/4"
FSG 48 - 20	46,10	V	1xCSN 8/6-GRT 120	S8C14N06P200-F	6 x 1 1/2"	VEM 514	24	1 x 3/4"
FSG 48 - 25	57,60	V	1xCSN 8/6-GRT 120	S8C14N06P200-F	6 x 1 1/2"	VEM 514	24	1 x 3/4"
FSG 48 - 30	68,60	V	1xCSN 8/6-GRT 120	S8C14N06P200-F	6 x 1 1/2"	VEM 514	24	1 x 3/4"
FSG 48 - 35	80,20	V	1xCSN 8/6-GRT 120	S8C14N06P200-F	6 x 1 1/2"	VEM 514	24	1 x 3/4"
FSG 45 - 20	43,20	V	3xCSN 5/3-GRT 70	S8C14N09P200-F	9 x 1 1/2"	VEM 514	36	2 x 3/4"
FSG 45 - 25	54,00	V	3xCSN 5/3-GRT 70	S8C14N09P200-F	9 x 1 1/2"	VEM 514	36	2 x 3/4"
FSG 45 - 30	64,40	V	3xCSN 5/3-GRT 70	S8C14N09P200-F	9 x 1 1/2"	VEM 514	36	2 x 3/4"
FSG 45 - 35	75,20	V	3xCSN 5/3-GRT 70	S8C14N09P200-F	9 x 1 1/2"	VEM 514	36	2 x 3/4"
FSG 54 - 20	51,80	V	3xCSN 5/3-GRT 70	S8C14N09P200-F	9 x 1 1/2"	VEM 514	36	2 x 3/4"
FSG 54 - 25	64,80	V	3xCSN 5/3-GRT 70	S8C14N09P200-F	9 x 1 1/2"	VEM 514	36	2 x 3/4"
FSG 54 - 30	77,20	V	3xCSN 5/3-GRT 70	S8C14N09P200-F	9 x 1 1/2"	VEM 514	36	2 x 3/4"
FSG 54 - 35	90,20	V	3xCSN 5/3-GRT 70	S8C14N09P200-F	9 x 1 1/2"	VEM 514	36	2 x 3/4"
FSG 63 - 20	60,50	V	3xCSN 5/3-GRT 70	S8C14N09P200-F	9 x 1 1/2"	VEM 514	36	2 x 3/4"
FSG 63 - 25	75,60	V	3xCSN 5/3-GRT 70	S8C14N09P200-F	9 x 1 1/2"	VEM 514	36	2 x 3/4"
FSG 63 - 30	90,10	V	3xCSN 5/3-GRT 70	S8C14N09P200-F	9 x 1 1/2"	VEM 514	36	2 x 3/4"
FSG 63 - 35	105,20	V	3xCSN 5/3-GRT 70	S8C14N09P200-F	9 x 1 1/2"	VEM 514	36	2 x 3/4"
FSG 72 - 20	69,10	V	3xCSN 5/3-GRT 70	S8C14N09P200-F	9 x 1 1/2"	VEM 514	36	2 x 3/4"
FSG 72 - 25	86,40	V	3xCSN 5/3-GRT 70	S8C14N09P200-F	9 x 1 1/2"	VEM 514	36	2 x 3/4"
FSG 72 - 30	103,00	V	3xCSN 5/3-GRT 70	S8C14N09P200-F	9 x 1 1/2"	VEM 514	36	2 x 3/4"
FSG 72 - 35	120,20	V	3xCSN 5/3-GRT 70	S8C14N09P200-F	9 x 1 1/2"	VEM 514	36	2 x 3/4"
FSG 60 - 20	57,60	V	2xCSN 8/6-GRT 120	S8C14N12P200-F	12 x 1 1/2"	VEM 514	48	2 x 3/4"
FSG 60 - 25	72,00	V	2xCSN 8/6-GRT 120	S8C14N12P200-F	12 x 1 1/2"	VEM 514	48	2 x 3/4"
FSG 60 - 30	85,80	V	2xCSN 8/6-GRT 120	S8C14N12P200-F	12 x 1 1/2"	VEM 514	48	2 x 3/4"
FSG 60 - 35	100,20	V	2xCSN 8/6-GRT 120	S8C14N12P200-F	12 x 1 1/2"	VEM 514	48	2 x 3/4"
FSG 84 - 20	80,60	V	2xCSN 8/6-GRT 120	S8C14N12P200-F	12 x 1 1/2"	VEM 514	48	2 x 3/4"
FSG 84 - 25	100,80	V	2xCSN 8/6-GRT 120	S8C14N12P200-F	12 x 1 1/2"	VEM 514	48	2 x 3/4"
FSG 84 - 30	120,10	V	2xCSN 8/6-GRT 120	S8C14N12P200-F	12 x 1 1/2"	VEM 514	48	2 x 3/4"
FSG 84 - 35	140,30	V	2xCSN 8/6-GRT 120	S8C14N12P200-F	12 x 1 1/2"	VEM 514	48	2 x 3/4"
FSG 96 - 20	92,20	V	2xCSN 8/6-GRT 120	S8C14N12P200-F	12 x 1 1/2"	VEM 514	48	2 x 3/4"
FSG 96 - 25	115,20	V	2xCSN 8/6-GRT 120	S8C14N12P200-F	12 x 1 1/2"	VEM 514	48	2 x 3/4"
FSG 96 - 30	137,30	V	2xCSN 8/6-GRT 120	S8C14N12P200-F	12 x 1 1/2"	VEM 514	48	2 x 3/4"
FSG 96 - 35	160,30	V	2xCSN 8/6-GRT 120	S8C14N12P200-F	12 x 1 1/2"	VEM 514	48	2 x 3/4"

¹ bei 180 sec. Umlaufzeit und 100 msec. Impulszeit



HAINKE Gehäuse-Schlauchfilter

Typ FSG 15-20 FSG 96-35

Filter- typ FSG	Filter- fläche m ²	Abmessungen													
		A	B	C ⁽¹⁾	D	E	F	G	I	J	K	L	M	N	H
mm															
FSG 15 - 20	14,40	760	660	1420	1320	2310	390	2000	1450	1050	788	1448	1x200x560	1x200x560	4150
FSG 15 - 25	18,00	760	660	1420	1320	2970	390	2500	1450	1050	788	1448	1x200x560	1x200x560	4810
FSG 15 - 30	21,50	760	660	1420	1320	3270	390	3000	1450	1050	788	1448	1x200x560	1x200x560	5110
FSG 15 - 35	25,10	760	660	1420	1320	3930	390	3500	1450	1050	788	1448	1x200x560	1x200x560	5770
FSG 18 - 20	17,30	760	660	1420	1320	2310	390	2000	1450	1050	788	1448	1x200x560	1x200x560	4150
FSG 18 - 25	21,60	760	660	1420	1320	2970	390	2500	1450	1050	788	1448	1x200x560	1x200x560	4810
FSG 18 - 30	25,70	760	660	1420	1320	3270	390	3000	1450	1050	788	1448	1x200x560	1x200x560	5110
FSG 18 - 35	30,10	760	660	1420	1320	3930	390	3500	1450	1050	788	1448	1x200x560	1x200x560	5770
FSG 21 - 20	20,20	760	660	1750	1650	2310	390	2000	1750	1350	788	1778	1x200x560	1x200x560	4450
FSG 21 - 25	25,20	760	660	1750	1650	2970	390	2500	1750	1350	788	1778	1x200x560	1x200x560	5110
FSG 21 - 30	30,00	760	660	1750	1650	3270	390	3000	1750	1350	788	1778	1x200x560	1x200x560	5410
FSG 21 - 35	35,10	760	660	1750	1650	3930	390	3500	1750	1350	788	1778	2x200x560	1x200x560	6070
FSG 24 - 20	23,00	760	660	1750	1650	2310	390	2000	1750	1350	788	1778	1x200x560	1x200x560	4450
FSG 24 - 25	28,80	760	660	1750	1650	2970	390	2500	1750	1350	788	1778	1x200x560	1x200x560	5110
FSG 24 - 30	34,30	760	660	1750	1650	3270	390	3000	1750	1350	788	1778	2x200x560	1x200x560	5410
FSG 24 - 35	40,10	760	660	1750	1650	3930	390	3500	1750	1350	788	1778	2x200x560	2x200x560	6070
FSG 30 - 20	28,80	1420	1320	1420	1320	2310	390	2000	1450	1050	1448	1448	1x200x560	1x200x560	4150
FSG 30 - 25	36,00	1420	1320	1420	1320	2970	390	2500	1450	1050	1448	1448	2x200x560	1x200x560	4810
FSG 30 - 30	42,90	1420	1320	1420	1320	3270	390	3000	1450	1050	1448	1448	2x200x560	2x200x560	5110
FSG 30 - 35	50,10	1420	1320	1420	1320	3930	390	3500	1450	1050	1448	1448	2x200x560	2x200x560	5770
FSG 36 - 20	34,60	1420	1320	1420	1320	2310	390	2000	1450	1050	1448	1448	2x200x560	1x200x560	4150
FSG 36 - 25	43,20	1420	1320	1420	1320	2970	390	2500	1450	1050	1448	1448	2x200x560	2x200x560	4810
FSG 36 - 30	51,50	1420	1320	1420	1320	3270	390	3000	1450	1050	1448	1448	2x200x560	2x200x560	5110
FSG 36 - 35	60,10	1420	1320	1420	1320	3930	390	3500	1450	1050	1448	1448	2x200x560	2x200x560	5770
FSG 42 - 20	40,30	1420	1320	1750	1650	2310	390	2000	1750	1350	1448	1778	2x200x560	2x200x560	4450
FSG 42 - 25	50,40	1420	1320	1750	1650	2970	390	2500	1750	1350	1448	1778	2x200x560	2x200x560	5110
FSG 42 - 30	60,10	1420	1320	1750	1650	3270	390	3000	1750	1350	1448	1778	2x200x560	2x200x560	5410
FSG 42 - 35	70,10	1420	1320	1750	1650	3930	390	3500	1750	1350	1448	1778	3x200x560	2x200x560	6070
FSG 48 - 20	46,10	1420	1320	1750	1650	2310	390	2000	1750	1350	1448	1778	2x200x560	2x200x560	4450
FSG 48 - 25	57,60	1420	1320	1750	1650	2970	390	2500	1750	1350	1448	1778	2x200x560	2x200x560	5110
FSG 48 - 30	68,60	1420	1320	1750	1650	3270	390	3000	1750	1350	1448	1778	3x200x560	2x200x560	5410
FSG 48 - 35	80,20	1420	1320	1750	1650	3930	390	3500	1750	1350	1448	1778	3x200x560	3x200x560	6070
FSG 45 - 20	43,20	2080	1980	1420	1320	2310	390	2000	2000	1600	2108	1448	2x200x560	2x200x560	4700
FSG 45 - 25	54,00	2080	1980	1420	1320	2970	390	2500	2000	1600	2108	1448	2x200x560	2x200x560	5360
FSG 45 - 30	64,40	2080	1980	1420	1320	3270	390	3000	2000	1600	2108	1448	3x200x560	2x200x560	5660
FSG 45 - 35	75,20	2080	1980	1420	1320	3930	390	3500	2000	1600	2108	1448	3x200x560	2x200x560	6320
FSG 54 - 20	51,80	2080	1980	1420	1320	2310	390	2000	2000	1600	2108	1448	2x200x560	2x200x560	4700
FSG 54 - 25	64,80	2080	1980	1420	1320	2970	390	2500	2000	1600	2108	1448	3x200x560	2x200x560	5360
FSG 54 - 30	77,20	2080	1980	1420	1320	3270	390	3000	2000	1600	2108	1448	3x200x560	2x200x560	5660
FSG 54 - 35	90,20	2080	1980	1420	1320	3930	390	3500	2000	1600	2108	1448	3x200x560	3x200x560	6320
FSG 63 - 20	60,50	2080	1980	1750	1650	2310	390	2000	2000	1600	2108	1778	2x200x560	2x200x560	4700
FSG 63 - 25	75,60	2080	1980	1750	1650	2970	390	2500	2000	1600	2108	1778	3x200x560	2x200x560	5360
FSG 63 - 30	90,10	2080	1980	1750	1650	3270	390	3000	2000	1600	2108	1778	3x200x560	3x200x560	5660
FSG 63 - 35	105,20	2080	1980	1750	1650	3930	390	3500	2000	1600	2108	1778	4x200x560	3x200x560	6320
FSG 72 - 20	69,10	2080	1980	1750	1650	2310	390	2000	2000	1600	2108	1778	3x200x560	2x200x560	4700
FSG 72 - 25	86,40	2080	1980	1750	1650	2970	390	2500	2000	1600	2108	1778	3x200x560	3x200x560	5360
FSG 72 - 30	103,00	2080	1980	1750	1650	3270	390	3000	2000	1600	2108	1778	4x200x560	3x200x560	5660
FSG 72 - 35	120,20	2080	1980	1750	1650	3930	390	3500	2000	1600	2108	1778	4x200x560	4x200x560	6320
FSG 60 - 20	57,60	2740	2640	1420	1320	2310	390	2000	2550	2150	2768	1448	2x200x560	2x200x560	5250
FSG 60 - 25	72,00	2740	2640	1420	1320	2970	390	2500	2550	2150	2768	1448	3x200x560	2x200x560	5910
FSG 60 - 30	85,80	2740	2640	1420	1320	3270	390	3000	2550	2150	2768	1448	3x200x560	3x200x560	6210
FSG 60 - 35	100,20	2740	2640	1420	1320	3930	390	3500	2550	2150	2768	1448	4x200x560	3x200x560	6870
FSG 84 - 20	80,60	2740	2640	1750	1650	2310	390	2000	2550	2150	2768	1778	3x200x560	3x200x560	5250
FSG 84 - 25	100,80	2740	2640	1750	1650	2970	390	2500	2550	2150	2768	1778	4x200x560	3x200x560	5910
FSG 84 - 30	120,10	2740	2640	1750	1650	3270	390	3000	2550	2150	2768	1778	4x200x560	4x200x560	6210
FSG 84 - 35	140,30	2740	2640	1750	1650	3930	390	3500	2550	2150	2768	1778	5x200x560	4x200x560	6870
FSG 96 - 20	92,20	2740	2640	1750	1650	2310	390	2000	2550	2150	2768	1778	4x200x560	3x200x560	5250
FSG 96 - 25	115,20	2740	2640	1750	1650	2970	390	2500	2550	2150	2768	1778	4x200x560	4x200x560	5910
FSG 96 - 30	137,30	2740	2640	1750	1650	3270	390	3000	2550	2150	2768	1778	5x200x560	4x200x560	6210
FSG 96 - 35	160,30	2740	2640	1750	1650	3930	390	3500	2550	2150	2768	1778	5x200x560	5x200x560	6870

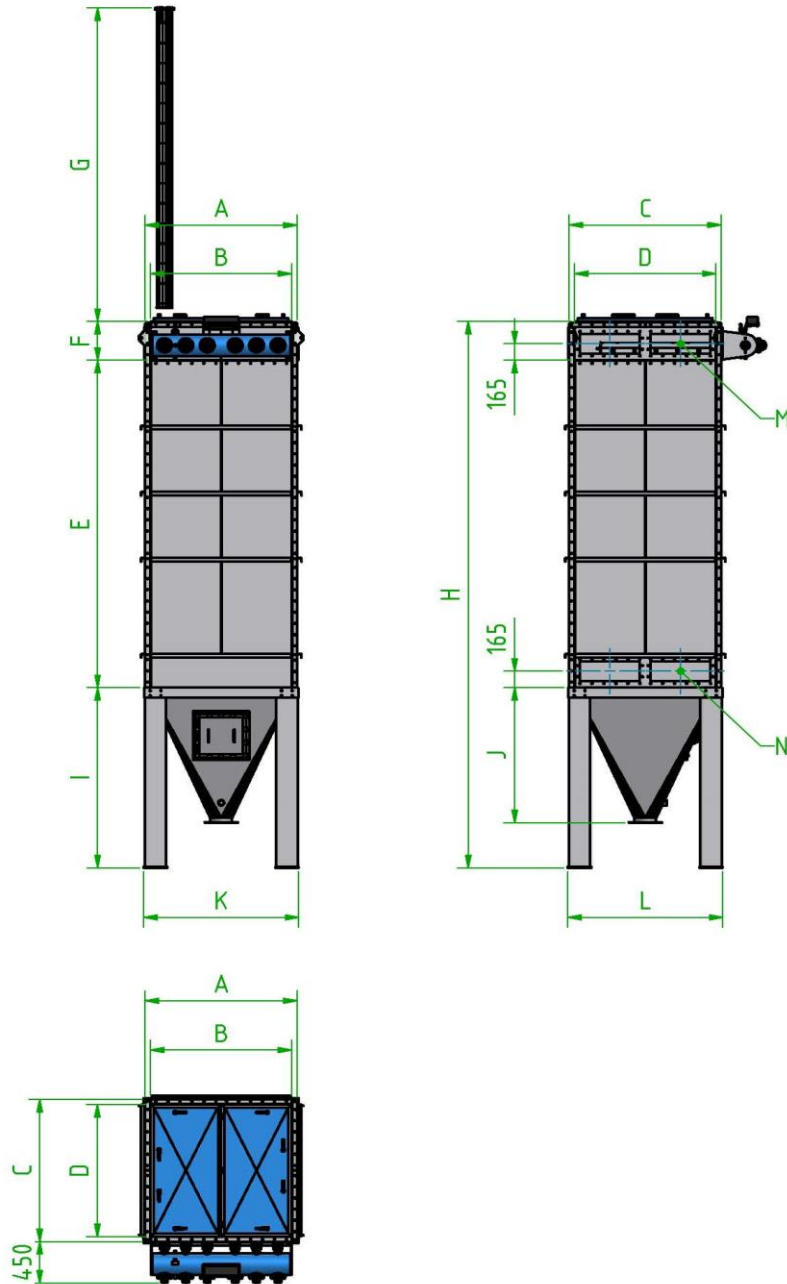
ALLE RECHTE VORBEHALTEN - KONSTRUKTIONS- UND MASSÄNDERUNGEN VORBEHALTEN

¹zzgl. 450 mm Höhe für die Druckluftreinigung
²Grundlage für M und N ist eine Filterflächenbelastung von 3,5
³alle Angaben ohne Gewähr

HAINKE Gehäuse-Schlauchfilter

Typ FSG 15-20 FSG 96-35

ALLE RECHTE VORBEHALTEN - KONSTRUKTIONS- UND MASSÄNDERUNGEN VORBEHALTEN



Filterunterteile (Maße I und J können je nach Austragorgnen variieren)

ZS = Zellenradschleuse

ST = Staubsammeltopf

SN = Austragschnecke